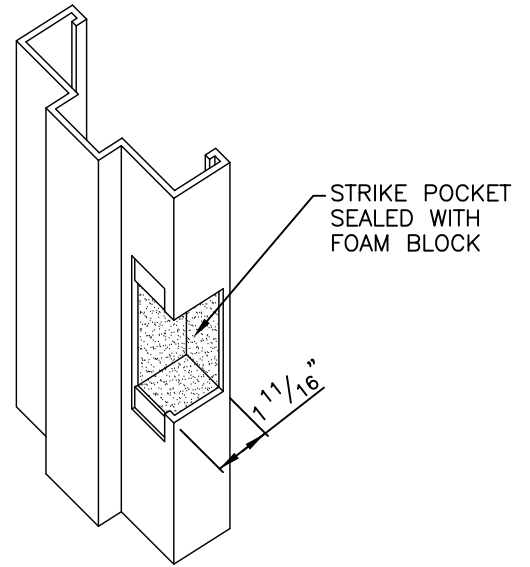
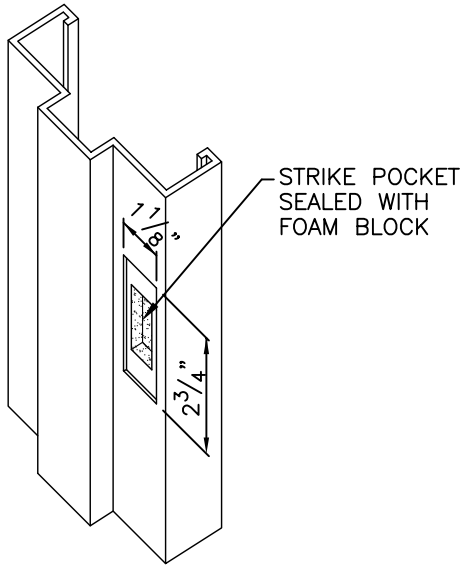


ANSI STRIKE

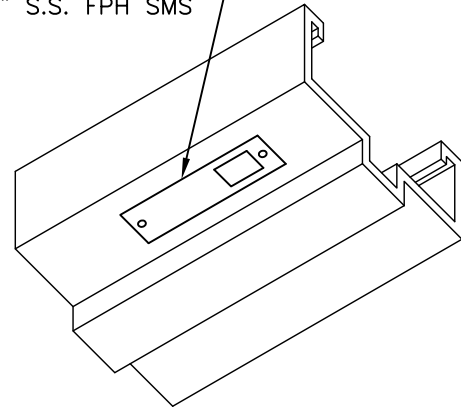


ELECTRIC STRIKE



RIM DEADBOLT STRIKE

1-1/8" x 4" STRIKE  
INSTALLED WITH  
#8x1" S.S. FPH SMS



FLUSHBOLT STRIKE



<b>FIBERGLASS DOOR FRAME STRIKE MACHINING</b>		
DATE 9/17/04	SCALE NONE	
DWG NAME STRIKEMACHINING	DRAWN BY BG	