

5/16-18 CAP SCREW
TWO EACH END UNDER DOORS
(4 TOTAL)

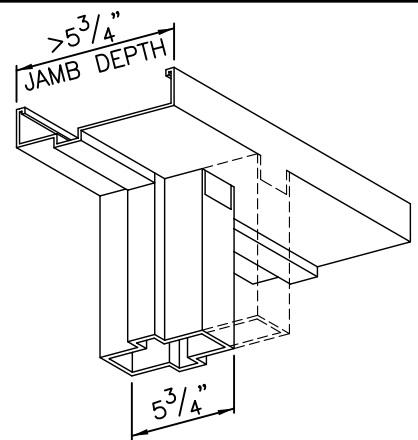
REMOVAL
DIRECTION

NOTCH IS PROVIDED ON
SIDE OPPOSITE REMOVAL
DIRECTION (BACK SIDE)
FRONT SIDE IS FURNISHED
WITHOUT NOTCH (TYP.)

FLOOR BLOCK

OPTION M1

INTERIOR VIEW LOOKING UP



5 3/4" STANDARD MULLION DEPTH
FULL WIDTH AVAILABLE
(CONSULT FACTORY FOR DETAILS)

REMOVAL
DIRECTION

6 3/4"x1" FLUSHBOLT
ONE EACH END
(2 TOTAL)

FLOOR BLOCK

OPTION M2

INTERIOR VIEW LOOKING UP

REMOVAL
DIRECTION

6 3/4"x1" FLUSHBOLT
ONE EACH END
UNDER DOOR
(2 TOTAL)

FLOOR BLOCK

OPTION M3

INTERIOR VIEW LOOKING UP



**FIBERGLASS DOOR FRAME
REMOVABLE MULLION DETAILS**

| | | |
|------------------------|----------------|--|
| DATE 9/17/04 | SCALE NONE | |
| DWG NAME REMMULLION | DRAWN BY BG | |