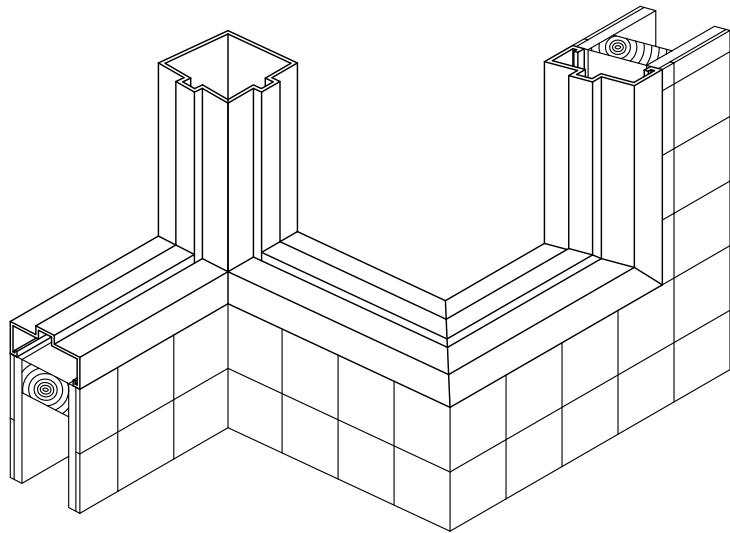
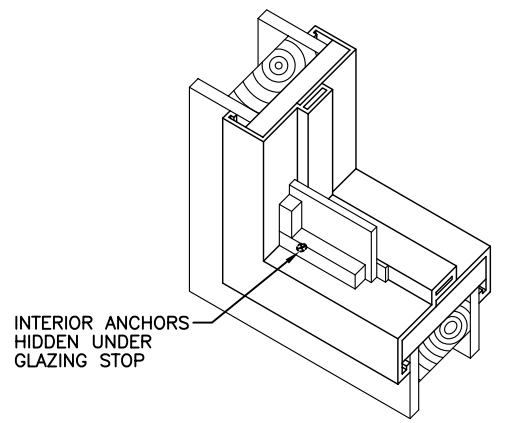
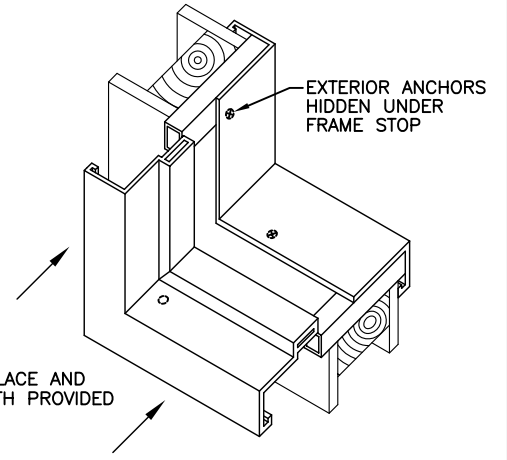
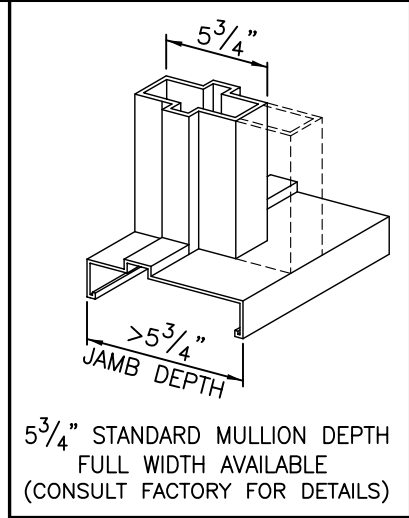


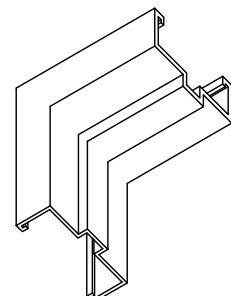
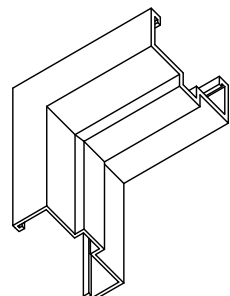
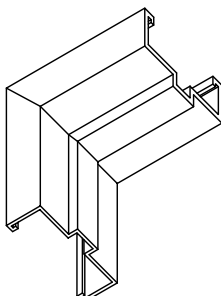
SEGMENTED ARC



RIGHT ANGLE



WRAP WALL FIXED SASH



OPTION KD  
 KNOCK DOWN

OPTION WF  
 CHEMICALLY WELDED FACE

OPTION WF/T  
 CHEMICALLY WELDED FACE/THROAT



FIBERGLASS FIXED SASH DETAILS		
DATE	9/17/04	SCALE
		NONE
DWG NAME	SASHDETAILS	DRAWN BY
		BG