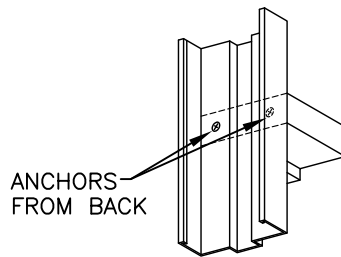
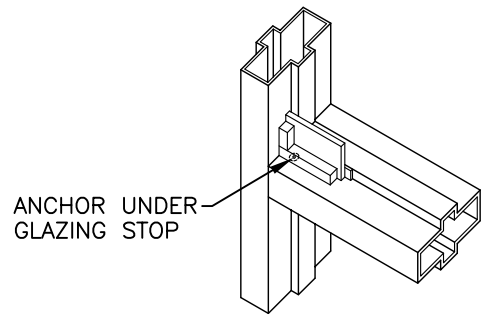


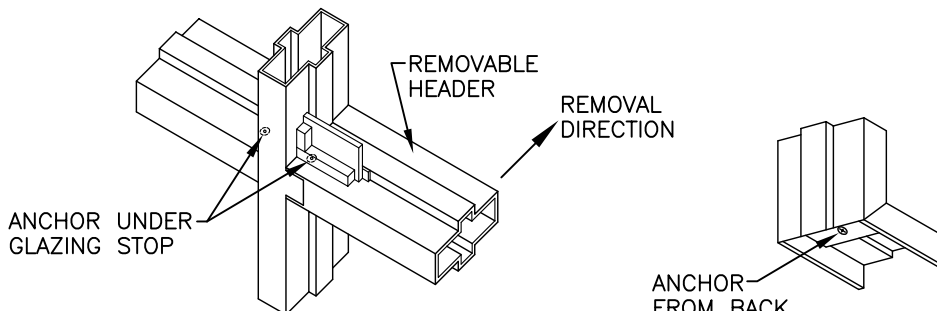
(A)



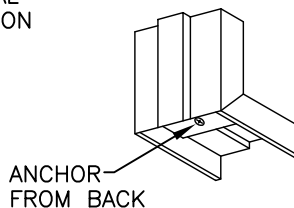
(B)



(C)



(D)



(E)



FIBERGLASS FIXED SASH/SIDELITE CONNECTIONS		
DATE 9/17/04	SCALE NONE	
DWG NAME SASHCONNECT	DRAWN BY BG	