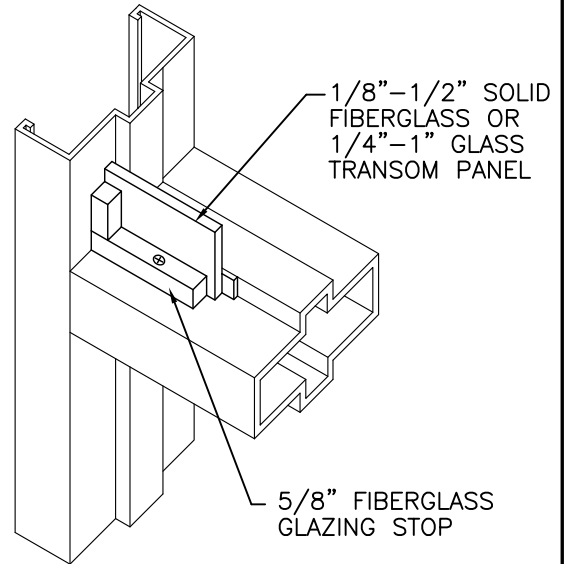


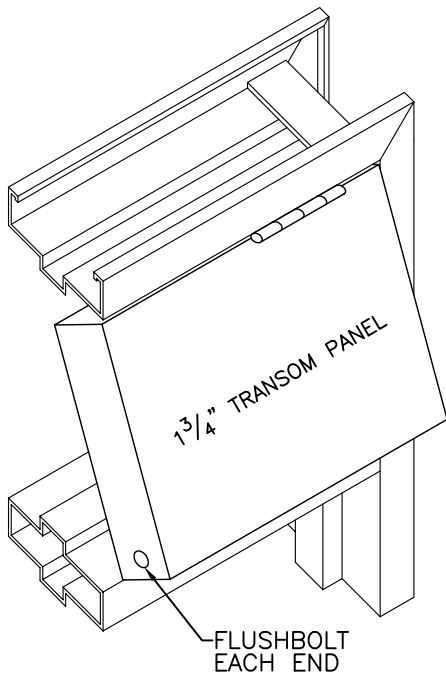
OPTION TA5

INTERIOR VIEW LOOKING UP



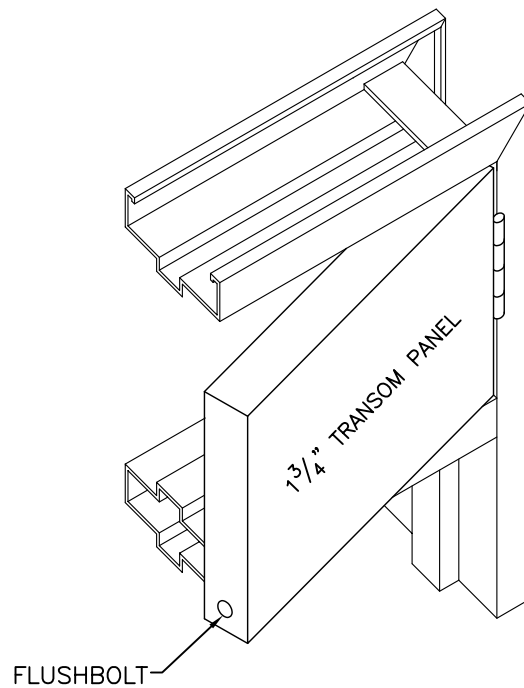
OPTION TA6

INTERIOR VIEW LOOKING DOWN



OPTION TA7

INTERIOR/EXTERIOR
VIEW LOOKING DOWN



OPTION TA8

INTERIOR/EXTERIOR
VIEW LOOKING DOWN



**FIBERGLASS TRANSOM TYPES
AND ATTACHMENT METHODS**

DATE 9/17/04	SCALE NONE	
DWG NAME TRANSOMATTACH2	DRAWN BY BG	