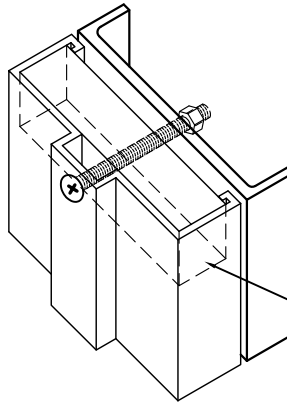
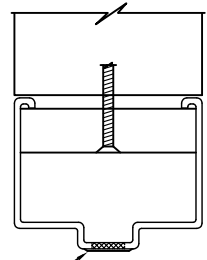


OPTION B-BM
BUTTED MASONRY



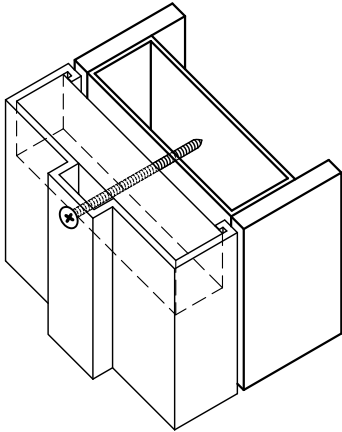
OPTION B-BS
BUTTED STEEL

ANCHOR
COMPRESSION
BLOCK (TYP.)

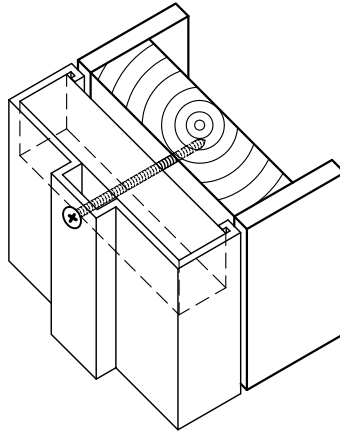


1" PLUG PAINTED TO MATCH

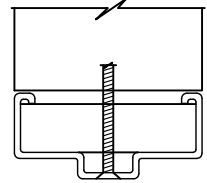
4" HEAD ANCHOR
WHERE REQUIRED



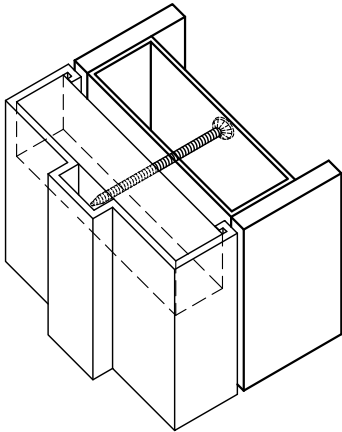
OPTION B-MS1
BUTTED METAL STUD



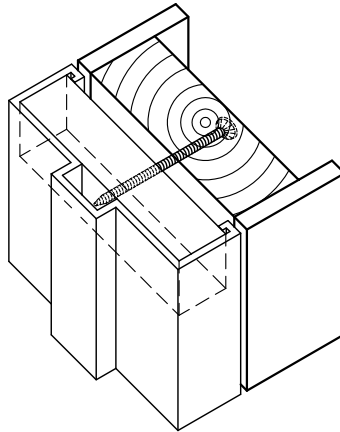
OPTION B-WS1
BUTTED WOOD STUD



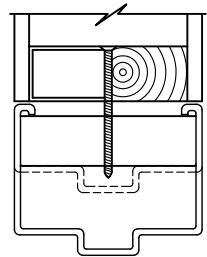
2" HEAD ANCHOR
WHERE REQUIRED



OPTION B-MS2
BUTTED METAL STUD



OPTION B-WS2
BUTTED WOOD STUD



2" OR 4" HEAD ANCHOR
WHERE REQUIRED

NOTES: STANDARD ROUGH OPENING IS AS FOLLOWS:
OVERALL FRAME WIDTH PLUS 1/2"
OVERALL FRAME HEIGHT PLUS 1/4"

ALL HOLES IN DOOR STOP ARE FACTORY
PRE-DRILLED AND COUNTERSUNK.



**FIBERGLASS DOOR FRAME
BUTTED WALL ANCHORING DETAILS**

| | | |
|--------------------------|----------------|--|
| DATE 9/17/04 | SCALE NONE | |
| DWG NAME BUTANCHORING | DRAWN BY BG | |