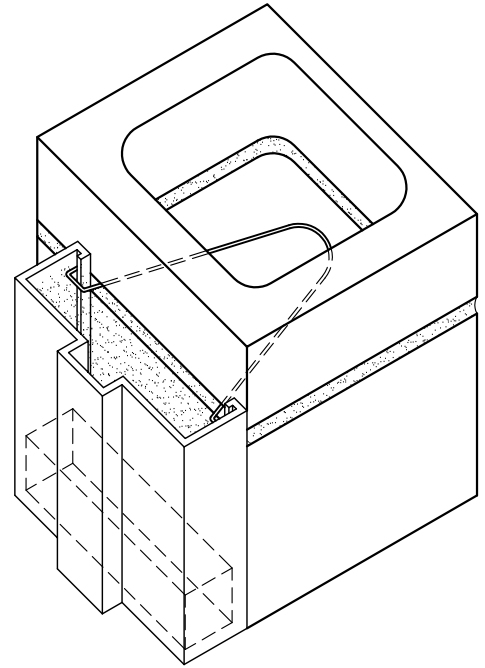
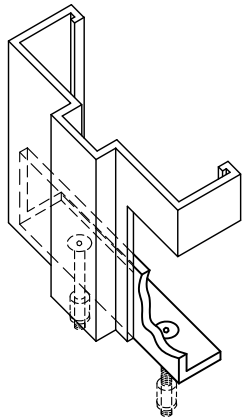


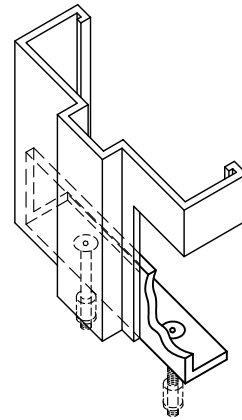
OPTION GWA-CIP
CONCRETE FILLED



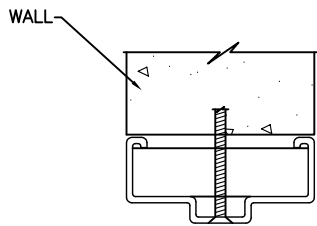
OPTION GWA-CMU
GROUT FILLED



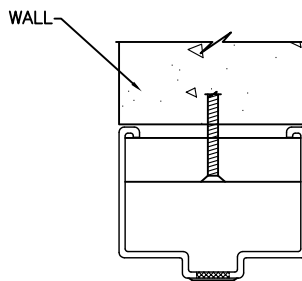
FIBERGLASS FLOOR ANCHOR



FIBERGLASS FLOOR ANCHOR



2" HEAD ANCHOR
WHERE REQUIRED



1" PLUG PAINTED TO MATCH
4" HEAD ANCHOR
WHERE REQUIRED



**FIBERGLASS DOOR FRAME
GROUTED WALL ANCHORING DETAILS**

DATE	SCALE	
9/17/04	NONE	
DWG NAME	DRAWN BY	
GROUTANCHORING	BG	