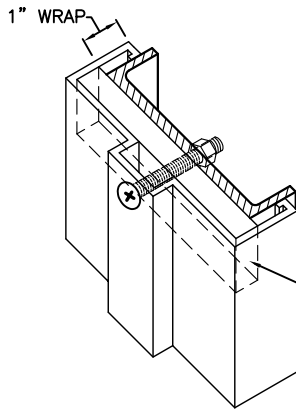
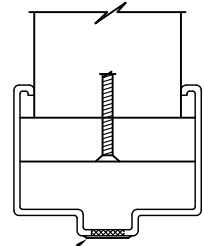


**OPTION W-BM**  
WRAP MASONRY



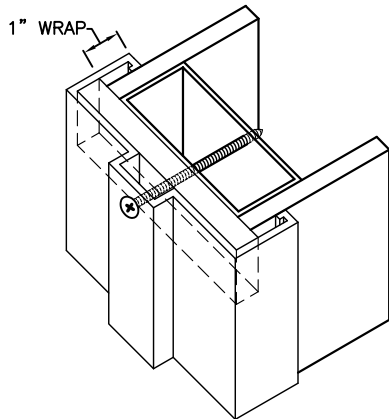
**OPTION W-BS**  
WRAP STEEL

ANCHOR  
COMPRESSION  
BLOCK (TYP.)

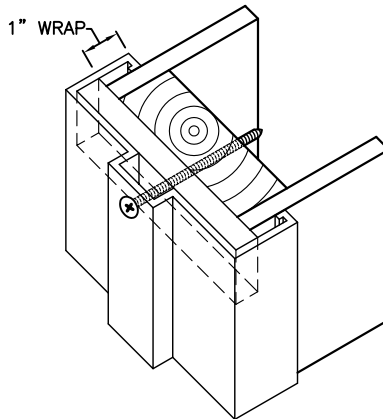


1" PLUG PAINTED TO MATCH

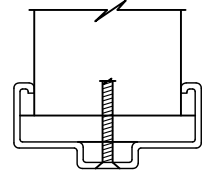
**4" HEAD ANCHOR**  
WHERE REQUIRED



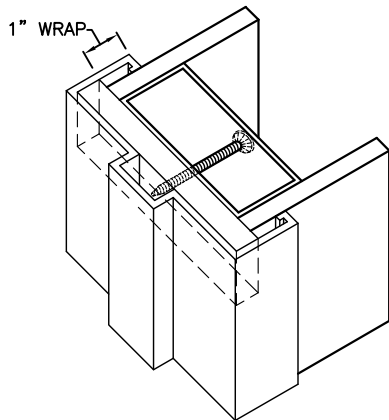
**OPTION W-MS1**  
WRAP METAL STUD



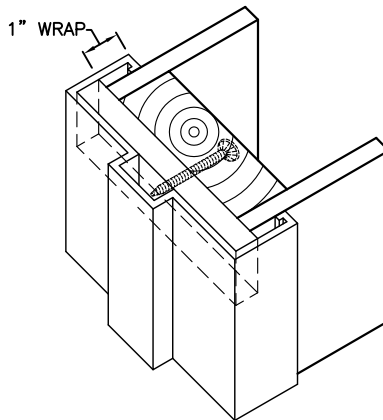
**OPTION W-WS1**  
WRAP WOOD STUD



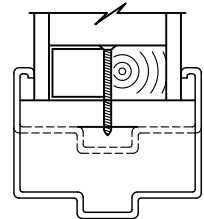
**2" HEAD ANCHOR**  
WHERE REQUIRED



**OPTION W-MS2**  
WRAP METAL STUD



**OPTION W-WS2**  
WRAP WOOD STUD



**2" OR 4" HEAD ANCHOR**  
WHERE REQUIRED

**NOTES:** ADDITIONAL WALL THICKNESS UP TO 8<sup>3</sup>/<sub>4</sub>"  
CAN BE ACCOMMODATED.  
CONSULT FACTORY FOR DETAILS.

ROUGH OPENING WILL BE AS FOLLOWS:  
OVERALL FRAME WIDTH MINUS 2"  
OVERALL FRAME HEIGHT MINUS 1"

ALL ANCHOR HOLES IN DOOR STOP ARE FACTORY  
PRE-DRILLED AND COUNTERSUNK.



**FIBERGLASS DOOR FRAME  
WRAPPED WALL ANCHORING DETAILS**

DATE 9/17/04	SCALE NONE	
DWG NAME WRAPANCHORING	DRAWN BY BG	