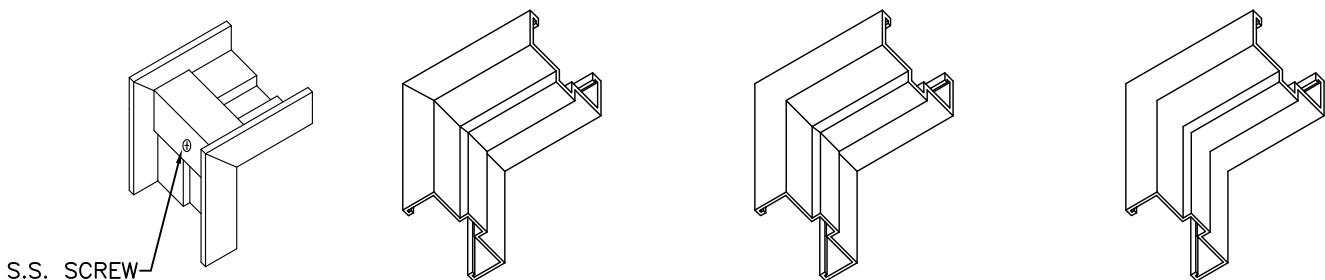


STANDARD KD
KNOCK DOWN
NO EXPOSED FASTENERS

OPTION WF
CHEMICALLY WELDED FACE

OPTION WF/T
CHEMICALLY WELDED FACE/THROAT

BUTTED FRAME HEAD/JAMB ATTACHMENT OPTIONS

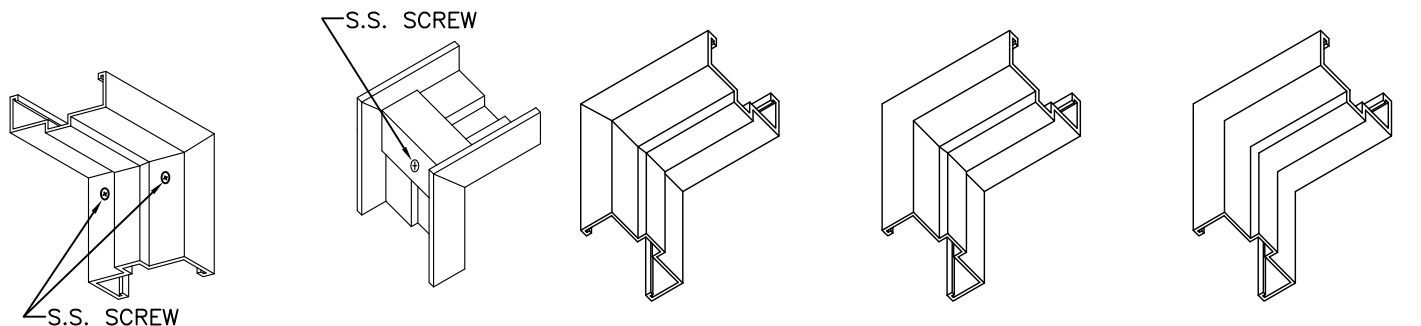


STANDARD KD
KNOCK DOWN
NO EXPOSED FASTENERS

OPTION WF
CHEMICALLY WELDED FACE

OPTION WF/T
CHEMICALLY WELDED FACE/THROAT

GROUTED FRAME HEAD/JAMB ATTACHMENT OPTIONS



STANDARD KD
KNOCK DOWN
FOR EXISTING WALL OPENINGS

OPTION KD
KNOCK DOWN
NEW WALL CONSTRUCTION ONLY

OPTION WF
CHEMICALLY WELDED FACE
NEW WALL CONSTRUCTION ONLY

OPTION WF/T
CHEMICALLY WELDED FACE/THROAT
NEW WALL CONSTRUCTION ONLY

WRAPPED WALL HEAD/JAMB ATTACHMENT OPTIONS



FIBERGLASS FRAME HEAD/JAMB ATTACHMENT OPTIONS		
DATE	SCALE	
9/20/04	NONE	
DWG NAME	DRAWN BY	
HEAD JAMB ATTACH	BG	